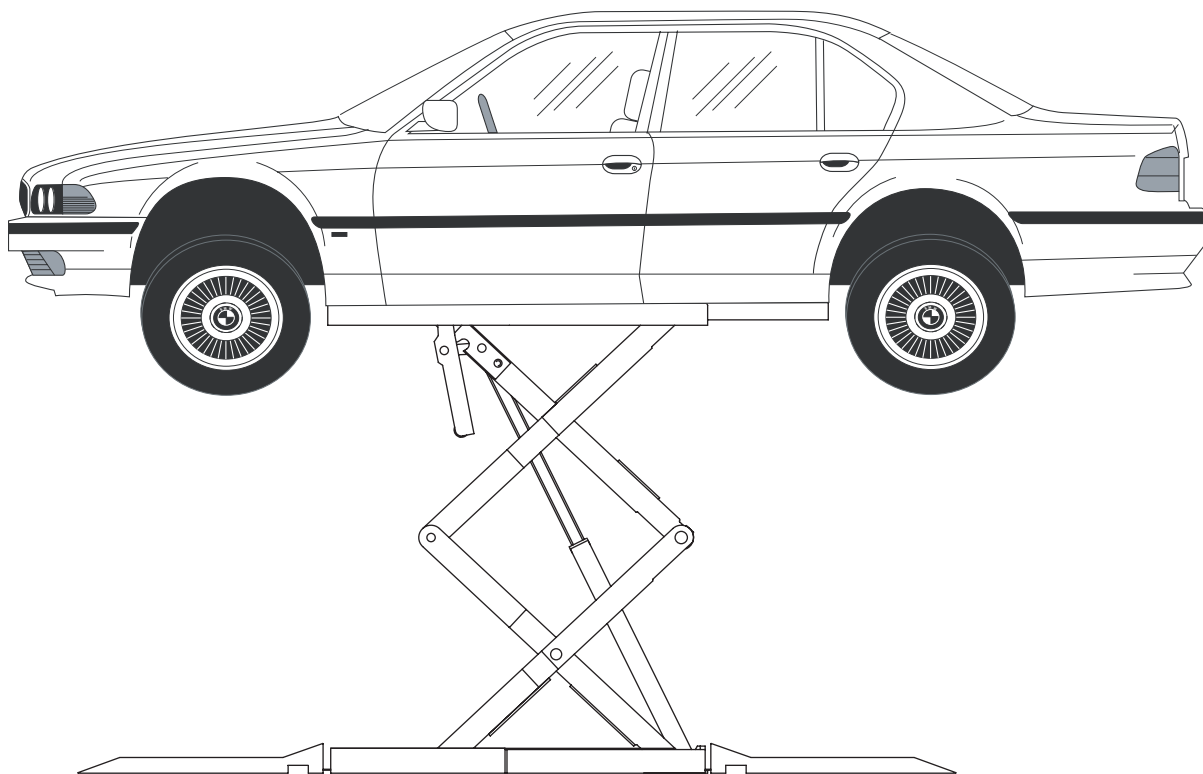




# GLP35 剪式举升机 (300系列)

举升重量7700lbs(3500kg)  
单边平台最大负载3850lbs(1750kg)



P  
A  
R  
T  
S  
  
B  
R  
E  
A  
K  
D  
O  
W  
N

用户信息  
请填写完整右边的  
信息并将其保存在  
安全处

安装日期 \_\_\_\_\_

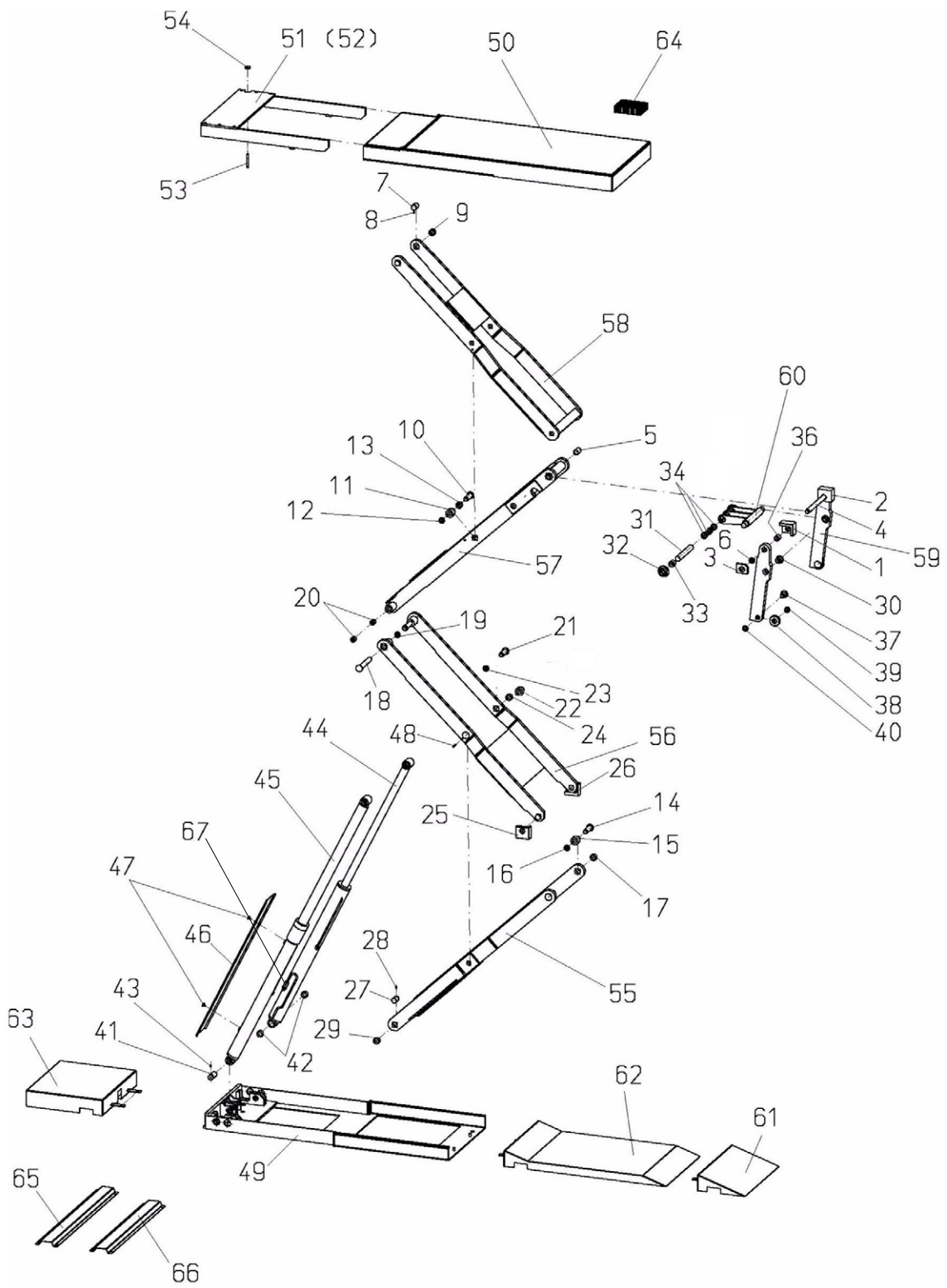
动力单元序列号# \_\_\_\_\_

动力单元型号# \_\_\_\_\_

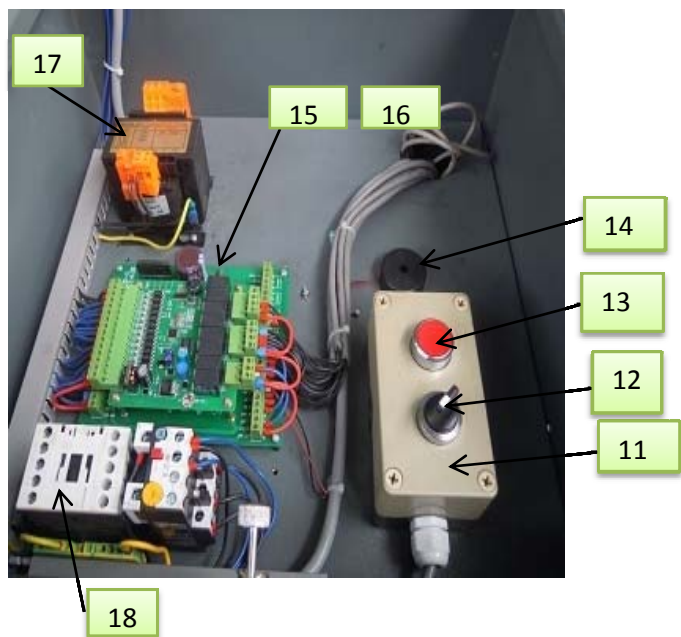
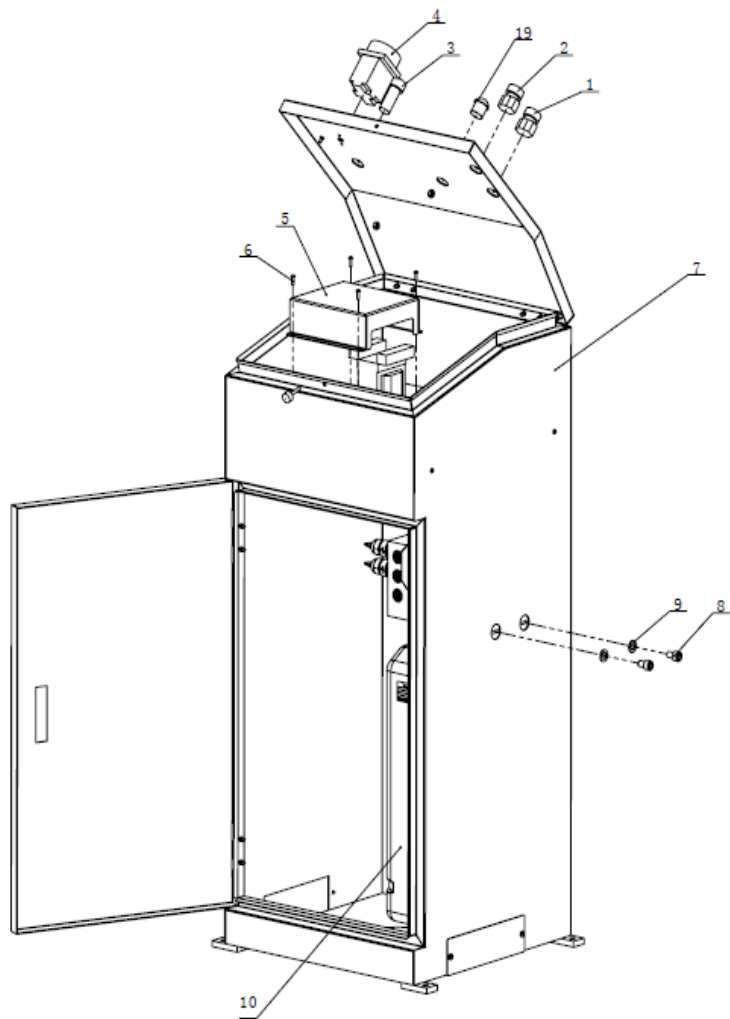
举升机型号# \_\_\_\_\_

| 主机明细 |    |        |          |
|------|----|--------|----------|
| 序号   | 数量 | 名称     | 图号       |
| 1    | 2  | 右上滑块   | XG120048 |
| 2    | 2  | 左上滑块   | XG120047 |
| 3    | 4  | 上侧平滑块  | XG120049 |
| 4    | 2  | 控制臂中心轴 | XG120042 |
| 5    | 4  | 轴套     | XG130004 |
| 6    | 4  | 圆锁紧螺母  | XG130007 |
| 7    | 4  | 撑架底轴   | XG120077 |
| 8    | 4  | 紧定螺钉   | XG130044 |
| 9    | 4  | 轴套     | XG130009 |
| 10   | 4  | 长隔套销   | XG120080 |
| 11   | NA | NA     | NA       |
| 12   | 4  | 圆锁紧螺母  | XG130007 |
| 13   | 8  | 轴套     | XG130010 |
| 14   | 4  | 长隔套销   | XG120080 |
| 15   | 4  | NA     | NA       |
| 16   | 4  | 圆锁紧螺母  | XG130007 |
| 17   | 4  | 轴套     | XG130010 |
| 18   | 4  | 销轴     | XG120082 |
| 19   | 4  | 圆锁紧螺母  | XG130007 |
| 20   | 8  | 轴套     | XG130010 |
| 21   | 4  | 长隔套销   | XG120080 |
| 22   | 4  | 轴套     | XG130006 |
| 23   | 4  | 圆锁紧螺母  | XG130007 |
| 24   | 4  | 轴套     | XG130004 |
| 25   | 2  | 右下滑块   | XG120046 |
| 26   | 2  | 左下滑块   | XG120045 |
| 27   | 4  | 撑架底轴   | XG120077 |
| 28   | 4  | 紧定螺钉   | XG130044 |
| 29   | 4  | 轴套     | XG130009 |
| 30   | 4  | 轴套     | XG130003 |
| 31   | 2  | 连接臂油缸轴 | XG120044 |
| 32   | 4  | 连接臂滚轮  | XG120041 |
| 33   | 4  | 轴套     | XG130005 |
| 34   | 8  | 轴套     | XG130008 |
| 35   | NA | NA     | NA       |
| 36   | 4  | 轴套     | XG130004 |
| 37   | 4  | 控制臂滚轮轴 | XG120043 |
| 38   | 4  | 控制臂滚轮  | XG120037 |
| 39   | 4  | 轴套     | XG130076 |
| 40   | 4  | 圆锁紧螺母  | XG130007 |
| 41   | 4  | 油缸尾轴   | XG120099 |
| 42   | 16 | 轴套     | XG130009 |
| 43   | 4  | 紧定螺钉   | XG130044 |

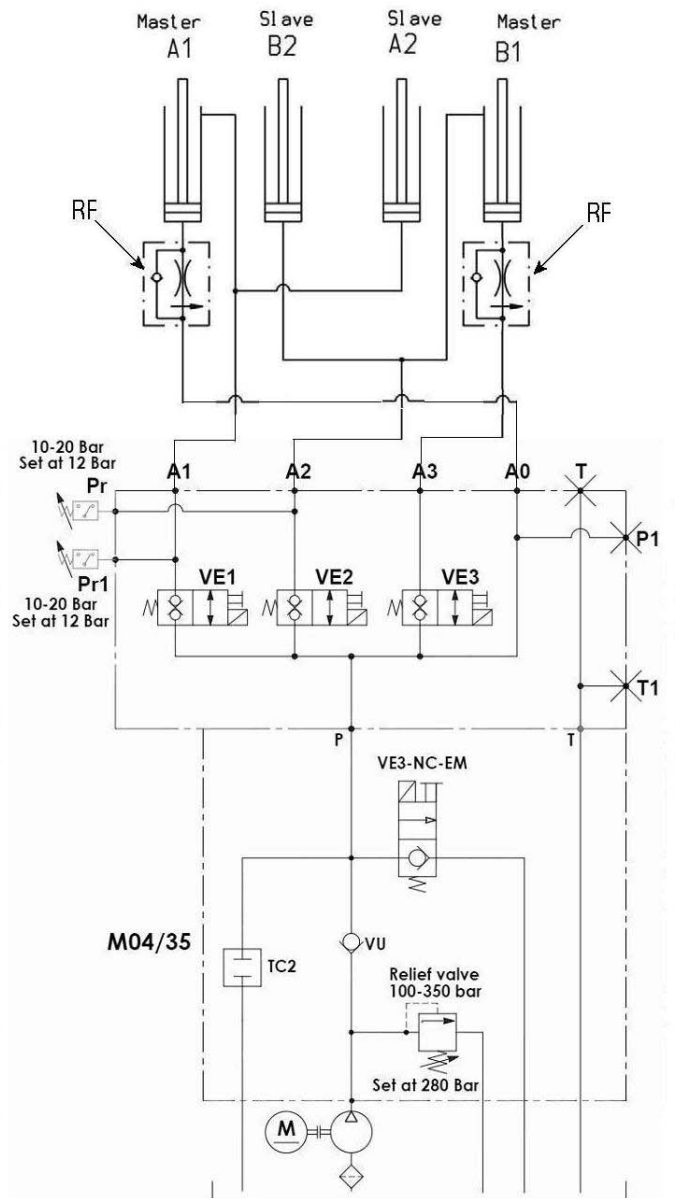
|    |   |               |                  |
|----|---|---------------|------------------|
| 44 | 2 | 油缸(主动)        | XG130001         |
| 45 | 2 | 油缸(从动)        | XG130002         |
| 46 | 2 | 油缸盖板          | XG120094         |
| 47 | 4 | 内六角盘头螺钉M6×10  | XG130045         |
| 48 | 1 | 内六角盘头螺钉M6×40  | XG130055         |
| 49 | 2 | 底座焊接          | XG120001         |
| 50 | 2 | 平台焊接          | XG120014         |
| 51 | 1 | 左侧伸缩体焊接       | XG120030         |
| 52 | 1 | 右侧伸缩体焊接       | XG120035         |
| 53 | 1 | 限位螺钉          | XG120029         |
| 54 | 2 | 限位手柄          | XG120028         |
| 55 | 2 | 下、内撑架焊接       | XG120050         |
| 56 | 2 | 下、外撑架焊接       | XG120055         |
| 57 | 2 | 上、内撑架焊接       | XG120061         |
| 58 | 2 | 上、外撑架焊接       | XG120071         |
| 59 | 4 | 控制臂           | XG120036         |
| 60 | 2 | 联接臂焊接         | XG120038         |
| 61 | 4 | 斜坡板焊接(300mm)  | XG120086         |
| 62 | 4 | 长斜坡焊接(1000mm) | XG120091         |
| 63 | 2 | 地藏坡板焊接        | XG120108         |
| 64 | 4 | 橡胶垫           | FJ2427<br>FJ2428 |
| 65 | 2 | 长油管盖板         | XG120096         |
| 66 | 1 | 短油管盖板         | XG120095         |
| 67 | 2 | 流量控制阀装配       | XG120112         |
| 68 | 2 | 主动油缸密封组件      | XG140007         |
| 69 | 2 | 从动油缸密封组件      | XG140008         |
|    | 4 | 接近开关(未标明)     | XG130075         |



| 控制单元 |    |                  |                        |
|------|----|------------------|------------------------|
| 序号   | 数量 | 名称               | 图号                     |
| 1    | 1  | 上升按钮             | CP9-1005               |
| 2    | 1  | 下降按钮             | CP9-1020               |
| 3    | 1  | 电源指示灯            | ZB4BVB1/ZB4-BV013      |
| 4    | 1  | 电源主开关            | T0-2-1/EA/SVB          |
| 5    | 1  | 保护罩              | XG150084D-7            |
| 6    | 1  | 内六角盘头螺钉(M4×14)   | B25-M4×14              |
| 7    | 1  | 控制箱装配            | XG150084G              |
| 8    | 2  | 内六角圆柱头螺钉(M10×16) | B20-M10×16             |
| 9    | 2  | 弹簧垫圈 Ø10         | B41-10                 |
| 10   | 1  | 动力单元             |                        |
|      |    | 3Ph 50Hz/380V    | R932009982             |
| 11   | 1  | 双孔按钮盒            | TYX2S-T                |
| 12   | 1  | 调试旋钮             | C2SS2-10B-10           |
| 13   | 1  | 调试旋钮             | CP1-10R-10             |
| 14   | 1  | 蜂鸣器              | YD3024A                |
| 15   | 1  | GLP35-MCU控制模块    | GLP35DQ-MCU            |
| 16   | 1  | GLP35接口板         | GLP35DQ-JKB            |
| 17   | 1  | 变压器              | JBK5-230/380/400/AC18V |
| 18   | 1  | 接触器              | DILM12-01-C            |
| 19   | 1  | 应急停止按钮           | CE4T-10R-01            |



| 液压零部件   |              |                                    |
|---------|--------------|------------------------------------|
| 数量      | 名称           | 图号                                 |
| 2       | 三通接头名称       | XG130018                           |
| 1       | 液压油管<br>液压油管 | XG130012<br>L= 4930mm<br>标示“B1”    |
| 1       | 液压油管         | XG130013<br>L= 4280mm<br>标示“B2-E2” |
| 1       | 液压油管         | XG130087<br>L= 4280mm<br>标示“A2-E1” |
| 1       | 液压油管         | XG130088<br>L= 4930mm<br>标示“A1”    |
| 2       | 液压油管         | XG130016<br>L=800mm<br>标示“E”       |
| 2       | 液压油管         | XG130089<br>L= 2250mm<br>标示“F”     |
| 液压选配零部件 |              |                                    |
| 数量      | 名称           | 图号                                 |
| 4       | 接头           | XG130038                           |
| 1       | 液压油管         | XG130081<br>L= 3000mm<br>标示“B1”    |
| 1       | 液压油管         | XG130082<br>L= 3000mm<br>标示“B2”    |
| 1       | 液压油管         | XG130083<br>L= 3000mm<br>标示“A2”    |
| 1       | 液压油管         | XG130084<br>L= 3000mm<br>标示“A1”    |



## 摘要

## 摘要

---

**Rotary World Headquarters**

2700 Lanier Drive  
Madison, IN 47250, USA  
[www.rotarylif.com](http://www.rotarylif.com)

**North America Contact Information**

Tech. Support: p 800.445.5438  
f 800.578.5438  
e [userlink@rotarylif.com](mailto:userlink@rotarylif.com)  
Sales: p 800.640.5438  
f 800.578.5438  
e [userlink@rotarylif.com](mailto:userlink@rotarylif.com)

**World Wide Contact Information**

World Headquarters/USA: 1.812.273.1622  
Canada: 1.905.812.9920  
European Headquarters/Germany: +49.771.9233.0  
United Kingdom: +44.178.747.7711  
Australasia: +60.3.7660.0285  
Latin America / Caribbean: +54.3488.431.608  
Middle East / Africa: 1.812.273.1622

© Rotary®, Printed in U.S.A., All Rights Reserved. Unless otherwise indicated, ROTARY, DOVER and all other trademarks are property of Dover Corporation and its affiliates.



A  DOVER™ COMPANY

